

WIRING INSTRUCTIONS - PLUGS/CONNECTORS

WARNING: BE SURE POWER IS OFF BEFORE STARTING.

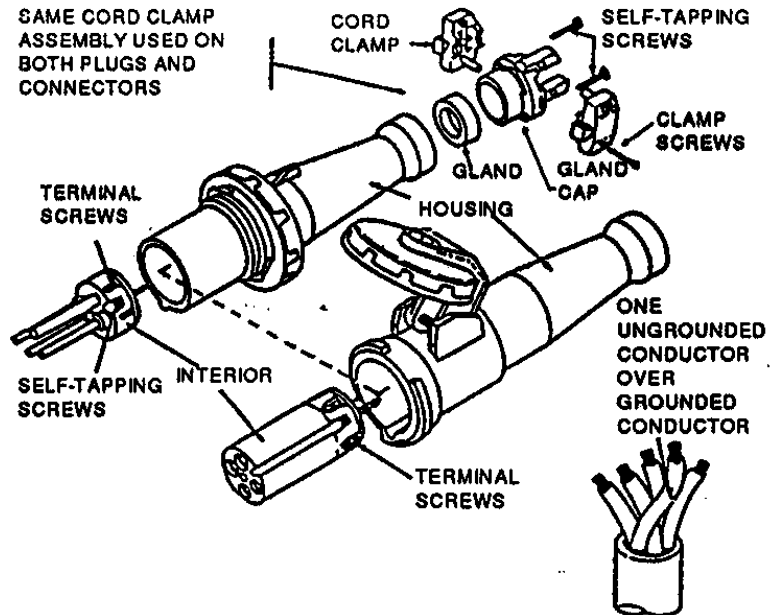
NOTICE: For installation only by a qualified electrician in accordance with the National Electrical Code®, Canadian Electrical Code, local codes, and the following instructions.

CAUTION: RISK OF ELECTRIC SHOCK. Disconnect power before installing. Never wire energized electrical components.

ATTENTION: RISQUE DE CHOC ÉLECTRIQUE. Débrancher le circuit avant l'installation. Ne jamais faire les connexions sur circuit vivant.

CAUTION: USE COPPER CONDUCTORS ONLY.

ATTENTION: EMPLOYER UNIQUEMENT AVEC FIL DE CUIVER.



DEVICE	FROM			TO			GRIP RANGE
	AWG	COND	TYPE	AWG	COND	TYPE	MIN/MAX
16-20AMP	#14	3	S	#10	3	S	.330/.830 DIA.
16-20AMP	#14	4	S	#10	4	S	.330/.830 DIA.
16-20AMP	#14	5	S	#10	5	S	.375/1.250 DIA.
30-32AMP	#12	3	S	#8	3	S or W	.375/1.250 DIA.
30-32AMP	#12	4	S	#8	4	S or W	.375/1.250 DIA.
30-32AMP	#12	5	S	#8	5	S or W	.500/1.450 DIA.
60-63AMP	#8	3	S or W	#2	3	W	.500/1.450 DIA.
60-63AMP	#8	4	S or W	#2	4	W	.500/1.450 DIA.
60-63AMP	#8	5	S or W	#2	5	W	.500/1.450 DIA.
100AMP	#3	3	W	#0	3	W	1.065/1.940 DIA.
100AMP	#3	4	W	#0	4	W	1.065/1.940 DIA.
100AMP	#3	5	W	#0	5	W	1.065/1.940 DIA.

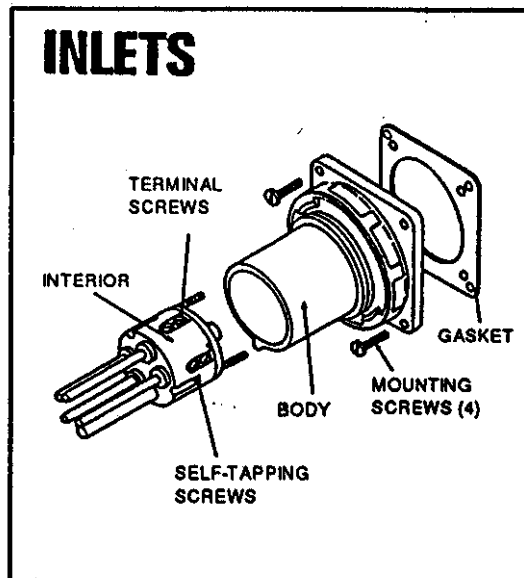
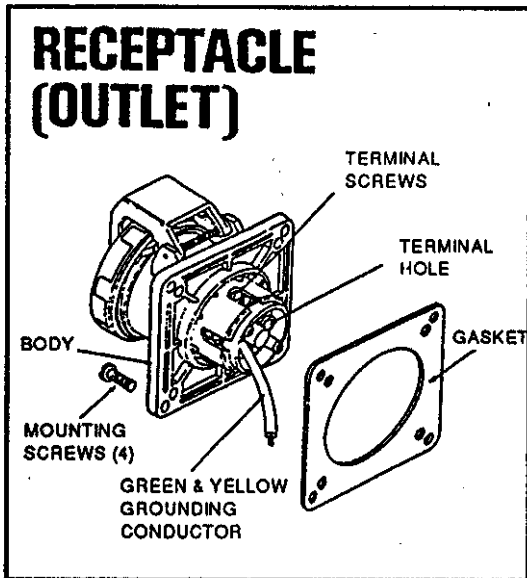
NOTE: DO NOT TIN CONDUCTOR. Crossing one ungrounded conductor (Line) over the grounded conductor (Neutral) may be necessary with five-wire devices.

11. Torque the terminal screws per Table I.
12. Assemble interior by tightening two screws until interior is firmly seated in housing. Screws may continue to turn after interior is seated. This is normal and harmless.
13. Slide gland and gland cap down cable to housing and tighten gland cap screws until gland cap is flush with housing.
14. Assemble cord clamps and tighten cord clamp screws to approximate value in Table I.

1. Check to see that the rating, molded on side of the device, is correct for the installation.
2. Select cable of suitable ampacity and temperature rating. These devices should be wired with Type S portable cord or Type W cable. Select conductor size in accordance with Ampacity Tables 400-5(A) or (B) of the National Electrical Code® and Table 2 and 5A of the Canadian Electrical Code; use ampacities from 60°C column of Table 400-5(B).
3. Choose the correct end of the cable for plug or connector so that conductor color coding corresponds to terminal location.
4. Shear cable cleanly--do not strip away cable jacket or conductor insulation at this time.
5. Remove cord clamps from gland cap. (Remove two screws.)
6. Remove gland cap from body. (Remove two self-tapping screws.)
7. Slide gland cap up cable.
8. Select a gland with an inside diameter approximately 1/8" (4.92 mm) larger than cable and slide the gland up the cable.
9. Remove the interior from the housing (loosen two screws visible from front; screws may be captive in interior) and slide the housing up the cable.
10. Strip cable jacket and each conductor per Table I and III. Insert the conductor into the marked terminal hole according to Table II.

DEVICE RATING	Domestic	20A	30A	60A	100A
	Foreign	16A	32A	63A	
Strip Jacket	Inch	2	2½	3½	4½
	Millimeter	50	75	125	175
Torque Terminal Screws	Lb.-In.	20	20	75	75
	N•m	2.5	2.5	8.5	8.5
Torque Clamp Screws	Lb.-In.	10	10	15	15
	N•m	1.25	1.25	1.75	1.75
Torque Pilot Terminal Screws	Lb.-In.			20	20
	N•m			2.5	2.5

TERMINATION IDENTIFICATION	USE FOR
G, GREEN,	EQUIPMENT GROUNDING CONDUCTOR
W, WHITE, N	GROUNDED CIRCUIT CONDUCTORS (NEUTRAL)
L1, L2, L3, OR BLANK or R1, S2, T3, OR BLANK or X, Y, Z, OR BLANK	UNGROUNDED CIRCUIT CONDUCTORS (LINE, HOT)
PILOT	CONTROL CIRCUIT CONDUCTOR



WARNING: BE SURE POWER IS OFF BEFORE STARTING.

NOTICE: For installation only by a qualified electrician in accordance with the National Electrical Code®, Canadian Electrical Code, local codes, and the following instructions.

CAUTION: RISK OF ELECTRIC SHOCK. Disconnect power before installing. Never wire energized electrical components.

ATTENTION: RISQUE DE CHOC ÉLECTRIQUE. Débrancher le circuit avant l'installation. Ne jamais faire les connections sur circuit vivant.

CAUTION: USE COPPER CONDUCTORS ONLY.

ATTENTION: EMPLOYER UNIQUEMENT AVEC FIL DE CUIVER.

- | | |
|---|---|
| <ol style="list-style-type: none"> 1. Check to see that the rating molded on side of the device is correct for the installation. 2. Select conductors of a size having suitable ampacity in accordance with the 60°C column of Table 310-16 of the National Electrical Code®, NFPA 70, and Table 2 of the Canadian Electrical Code, Part I. Use copper conductors only. 3. Strip each conductor per Table III. 4. Twist the strands of each conductor together. 5. Insert the conductor into the marked terminal hole according to Table II. 6. Torque terminal screws per Table III. | <ol style="list-style-type: none"> 1. Check to see that the rating molded on side of the device is correct for the installation. 2. Select conductors of a size having suitable ampacity in accordance with the 60°C column of Table 310-16 of the National Electrical Code®, NFPA 70, and Table 2 of the Canadian Electrical Code, Part I. Use copper conductors only. 3. Remove the interior from the body (loosen two screws visible from front; screws may be captive in interior). 4. Strip each conductor per Table III. 5. Feed conductors through the gasket and body. 6. Twist the strands of each conductor together. 7. Insert the conductor into the marked terminal hole according to Table II. 8. Torque terminal screws per Table III. 9. Assemble interior by tightening two screws until interior is firmly seated in housing. Screws may continue to turn after interior is seated. This is normal and harmless. |
|---|---|

TABLE III					
DEVICE RATING	Domestic	20A	30A	60A	100A
	Foreign	16A	32A	63A	
Conductor Strip Length	Inch	1	1	1	1½
	Millimeter	25	25	25	40
Torque Terminal Screws	Lb.-In.	20	20	75	75
	N·m	2.5	2.5	8.5	8.5

NOTICE—READ BEFORE INSTALLING THIS DEVICE. This pin-and-sleeve device conforms to International Electrotechnical Commission Standards IEC 309-1 and 309-2. The arrangement of pins, sleeves, and keys in this device is such that the device cannot be mated with an IEC device of a different voltage, current, or system rating. Pin-and-sleeve devices not made to IEC standards are made to standards established by individual companies. It is, therefore, possible that a non-IEC device can be improperly mated with an IEC device of a different voltage, current, or system rating. To assure safety in the use of pin-and-sleeve devices, **DO NOT USE** non-IEC devices in the same premises as IEC devices, unless it has been determined beforehand that no mating is possible which can create an electrical situation which is hazardous to life or property.



Wiring Device Division